

ENCODING/MULTIPLEXING SD & HD

EMA 608 4way MPEG-4/H.264 Encoder/Multiplexer



The EMA 608 features professional, flexible and efficient Encoder/Multiplexer modules perfectly suited for CATV, SMATV, IPTV and broadcast applications. The product combines encoding and multiplexing in one unit featuring first class system parameters and excellent Audio/Video quality, including Dolby Digital, both in SDTV and HDTV. The EMA 608 offers a compact solution for encoding of up to 4 incoming signals into ASI or IP (SPTS/MPTS) transport stream processing digital SDI as well as analog Audio/Video signals. The EMA 608 is equipped with an ASI input that enables the insertion of an additional ASI TS or the cascading of up to 8 EMAs 608 to stream multiple programs. The EMA 608 can be configured locally or remotely via a web server and also features an SNMP client.

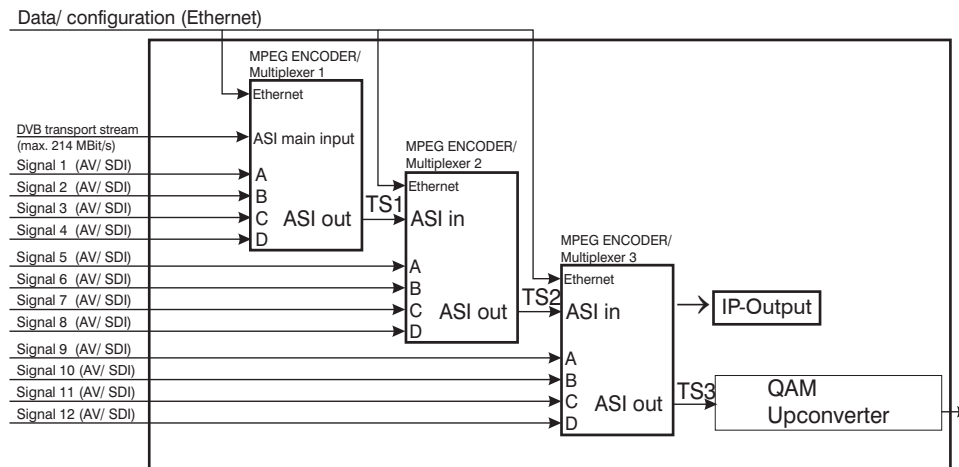
- Four A/V signals (analog, ASI or SDI) are encoded and multiplexed into an ASI transport stream and an IP-Stream output (SPTS, MPTS)
- Efficient H.264 encoding with Dolby AC3
- Individual adjustment of incoming Audio/Video signals
- Supports insertion of external ASI-TS also for cascading
- Cascadable up to 8 encoders
- MPEG-2 to MPEG-4 transcoding

managed by
SNMP



ENCODER/MULTIPLEXER

Application Example



Application Example: Cascade of three encoders incl. QAM-Upconverter

...setting signals



- 19" 1 RU stand-alone module
- 4 x Audio/ Video/ SDI input
- 1 x ASI-Input with service filter
- 1 x ASI-Output (max. 214 Mbps)
- Up to 8 EMA's can be cascaded to one ASI/IP TS
- Generation of all necessary DVB and ATSC tables
- Management/ adjustment via web interface
- IP streaming output (SPTS, MPTS)
- AC3 encoding (AC3 encoder Dolby 2.0 for all installed encoder slots)

Technical Parameters

Encoder, Video Input	
Standard	PAL, SECAM, NTSC (M); SD-SDI (270 Mbps), HD-SDI (1.5 Gbps, MPEG-2 HD/SD, H.264/AVC HD/SD)
Compression	H.264/AVC (MP @L3.0/HP @L4.0)
Format/Size	SD 625/525, HD 720p, HD 1080i
System bit rate	1024 ... 15 000 kbps / 20 000 kbps (adjustable individually per channel)
Encoder, Audio Input	
Compression	MPEG-1 Layer 2 / AC-3
Sampling rate / Bit rate	48 kHz, stereo / 64...384 kbps
Transport stream output	
Protocol	DVB-ASI, burst/ continuous mode; DVB-ASI/ ATSC, burst- or interleave mode adjustable
Connector	BNC/ 75 Ω / 800 mV _{pp}
Bitrate	1...214 Mbps, adjustable (1 kbps steps)
Channel within TS	1...4 per unit, max. 8 units can be cascaded
Transport stream input	
Protocol	for DVB transport streams up to 214 Mbps (burst or interleave mode) input for multi-unit configuration

A/V Input	
Video IN	4x BNC, 75 Ω (analog 1 V _{pp} / SDI 0.8 V _{pp}) FBAS / analog audio switchable to SDI (270 Mbps) audio embedded or analog audio
Audio IN	4x DIN 45326 socket 8-poles/stereo 600 Ω / 10 kΩ symmetrically
IP Streamport	
Network connection	Ethernet, 10/100/1000 Base-T
Connector	RJ 45
Protocol	UDP, RTP
Additional troubleshooting	pro-MPEG Code of practice 3 rev. 2
Encapsulation	accord. ETSI TS 102034
Remote control	
Adjustments via SNMP	Web interface via Ethernet IP Provisioning of a MIB parameter file
Extensions	
Cascading	several EMA encoders can be cascaded via the ASI interface to create one DVB transport stream.
Miscellaneous	
Weight	4550 g

BLANKOM USA, LLC

5 Stanton Court • Plainsboro, NJ 08536
Phone: 609-936-1919, Español: 915-833-2139
sales@blankom-usa.com

www.blankom-usa.com